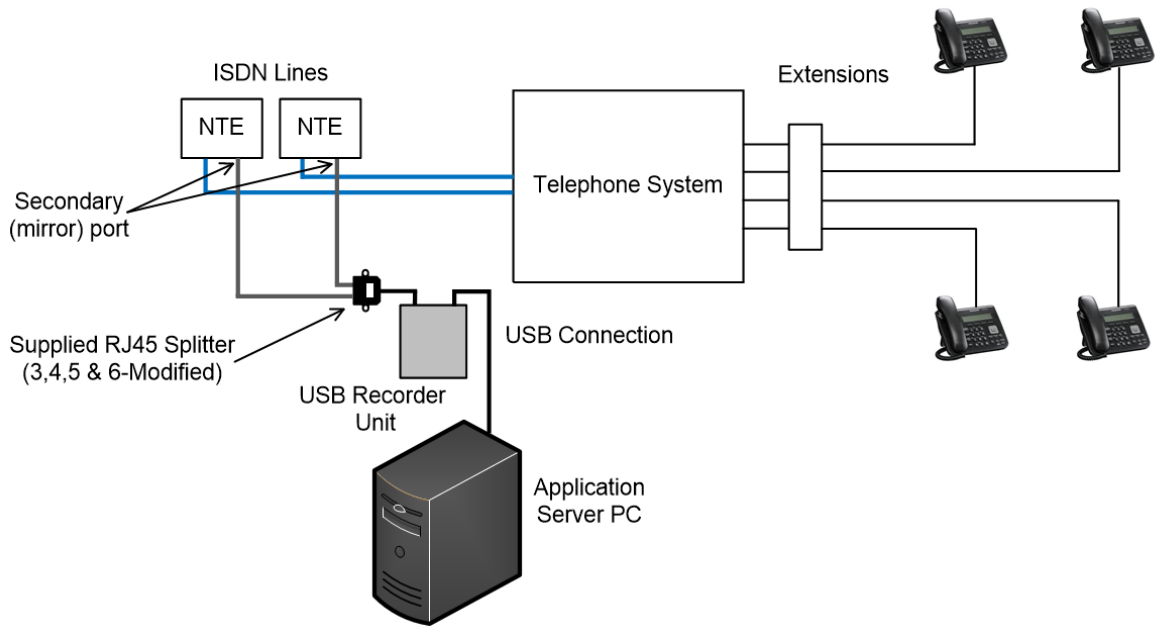


USB Recorder BRI Trunk / Line Side Connection



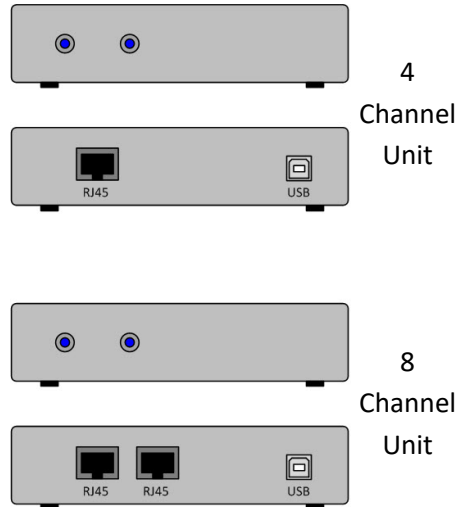
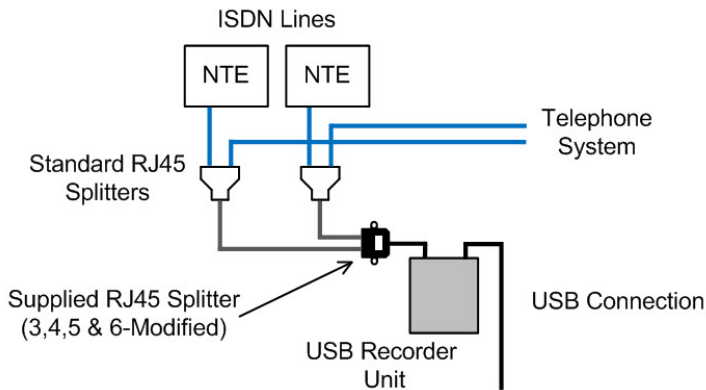
The diagram above shows how to connect 2 x ISDN 2 (4 channels of ISDN BRI). This requires a 4 channel USB recorder unit and **the supplied custom RJ45 splitter**.

To connect up to 4 x ISDN 2 (8 channels of ISDN BRI) requires an 8 channel USB recorder units and **two supplied custom RJ45 splitters**.

Use standard straight RJ45 patch leads between NTE and splitters and telephone system BRI interface.

If not using NTE (mirror) ports connect as shown below:

Alternative connection using additional RJ45 Splitters



First LED flashing 1 second on 1 second off indicates unit ready, initialised and in sync.

Second LED on indicates one or more recorder channels active.